



MIAMI-DADE COUNTY
 BUILDING CODE COMPLIANCE OFFICE (BCCO)
 PRODUCT CONTROL DIVISION

MIAMI-DADE COUNTY, FLORIDA
 METRO-DADE FLAGLER BUILDING

140 WEST FLAGLER STREET, SUITE 1603
 MIAMI, FLORIDA 33130-1563
 (305) 375-2901 FAX (305) 375-2908

NOTICE OF ACCEPTANCE (NOA)

www.miamidade.gov

Gallina USA
 4335 Capital Circle
 Janesville, WI 53546

SCOPE:

This NOA is being issued under the applicable rules and regulations governing the use of construction materials. The documentation submitted has been reviewed by Miami-Dade County Product Control Division and accepted by the Board of Rules and Appeals (BORA) to be used in Miami Dade County and other areas where allowed by the Authority Having Jurisdiction (AHJ).

This NOA shall not be valid after the expiration date stated below. The Miami-Dade County Product Control Division (In Miami Dade County) and/or the AHJ (in areas other than Miami Dade County) reserve the right to have this product or material tested for quality assurance purposes. If this product or material fails to perform in the accepted manner, the manufacturer will incur the expense of such testing and the AHJ may immediately revoke, modify, or suspend the use of such product or material within their jurisdiction. BORA reserves the right to revoke this acceptance, if it is determined by Miami-Dade County Product Control Division that this product or material fails to meet the requirements of the applicable building code.

This product is approved as described herein, and has been designed to comply with the High Velocity Hurricane Zone of the Florida Building Code.

DESCRIPTION: 5/8" & 1" RDC Storm Panels Shutter

APPROVAL DOCUMENT: Drawing No. GAL – 0004-1, titled " 5/8" & 1" Hurricane Storm Panel RDC ", sheets 1 through 5 of 5, prepared by PTC Engineering, Inc., dated December 01, 2005, signed and sealed by L. Roberto Lomas, P.E., bearing the Miami-Dade County Product Control Renewal stamp with the Notice of Acceptance number and the expiration date by the Miami-Dade County Product Control Division.

MISSILE IMPACT RATING: Large and Small Missile Impact

LABELING: Each panel shall bear a permanent label with the manufacturer's name or logo, city, state and the following statement: "Miami-Dade County Product Control Approved", unless otherwise noted herein.

RENEWAL of this NOA shall be considered after a renewal application has been filed and there has been no change in the applicable building code negatively affecting the performance of this product.

TERMINATION of this NOA will occur after the expiration date or if there has been a revision or change in the materials, use, and/or manufacture of the product or process. Misuse of this NOA as an endorsement of any product, for sales, advertising or any other purposes shall automatically terminate this NOA. Failure to comply with any section of this NOA shall be cause for termination and removal of NOA.

ADVERTISEMENT: The NOA number preceded by the words Miami-Dade County, Florida, and followed by the expiration date may be displayed in advertising literature. If any portion of the NOA is displayed, then it shall be done in its entirety.

INSPECTION: A copy of this entire NOA shall be provided to the user by the manufacturer or its distributors and shall be available for inspection at the job site at the request of the Building Official.

This NOA **renews NOA #07-0320.04** and consists of this page 1, evidence submitted pages E-1 & E-2 as well as approval document mentioned above.

The submitted documentation was reviewed by **Helmy A. Makar, P.E., M.S.**



Helmy A. Makar
 04/10/2008

NOA No. 08-0213.02
 Expiration Date: 07/27/2013
 Approval Date: 04/10/2008
 Page 1

Gallina USA

NOTICE OF ACCEPTANCE: EVIDENCE SUBMITTED

1. EVIDENCE SUBMITTED UNDER PREVIOUS APPROVAL # 06-0222.04

A. DRAWINGS

1. *Drawing No. GAL – 0004-1, titled “ 5/8” & 1” Hurricane Storm Panel RDC ”, sheets 1 through 5 of 5, prepared by PTC Engineering, Inc., dated December 01, 2005, signed and sealed by L. Roberto Lomas, P.E.*

B. TESTS

1. *Test report on Large Missile Impact Test, Cyclic Wind Pressure Test, and Uniform Static Air Pressure Test of 5/8" Hurricane Storm Panel R.D.C., prepared by National Certified Testing Laboratories, Report No. 210-3249-1, dated October 14, 2005, signed and sealed by Gerald John Ferrara, P.E.*
2. *Test report on Large Missile Impact Test, Cyclic Wind Pressure Test, and Uniform Static Air Pressure Test of 1" Hurricane Storm Panel R.D.C., prepared by National Certified Testing Laboratories, Report No. 210-3249-2, dated October 14, 2005, signed and sealed by Gerald John Ferrara, P.E.*
3. *Test report on Spontaneous Ignition Temperature per ASTM D-1929, Report No. 3064952, dated September 29, 2004.*
4. *Test report on Rate of Burning per ASTM D635-98, Report No. 3033484(a) and 3041325(a), dated May 28, 2003.*
5. *Test Report on Flame Spread and Smoke Development per ASTM E-84-01, Report No. 3033484(b), dated January 17, 2003.*

C. CALCULATIONS

1. *Comparative Analysis, Anchor Calculations and details for 5/8” & 1” Storm Panels RDC, dated November 28, 2005, pages 1 through 5 of 5, prepared by PTC Engineering, Inc., signed and sealed by Luis R. Lomas, P.E.*

D. QUALITY ASSURANCE

1. *By Miami-Dade County Building Code Compliance Office.*

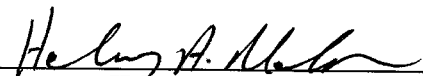
E. MATERIAL CERTIFICATIONS

1. *4500 hrs. Accelerated Weathering, pre-and-post-weathering Tensile Test contract letter from Intertek Testing Laboratory, dated September 06, 2006 to begin before 09/30/2006, in accordance with ASTM D638, signed Jeff Gearhart.*

2. EVIDENCE SUBMITTED UNDER PREVIOUS APPROVAL # 07-0320.04

A. DRAWINGS

1. *None.*



Helmy A. Makar, P.E., M.S.
Product Control Examiner
NOA No. 08-0213.02
Expiration Date: 07/27/2013
Approval Date: 04/10/2008

Gallina USA

NOTICE OF ACCEPTANCE: EVIDENCE SUBMITTED

B. TESTS

1. *None.*

C. CALCULATIONS

1. *None.*

D. QUALITY ASSURANCE

1. *By Miami-Dade County Building Code Compliance Office.*

E. MATERIAL CERTIFICATIONS

1. *4500 hrs. Accelerated Weathering, pre-and-post-weathering Tensile Test contract letter from Intertek Testing Laboratory, dated September 06, 2006 to begin before 09/30/2006, in accordance with ASTM D638, signed Jeff Gearhart.*

3. NEW EVIDENCE SUBMITTED

A. DRAWINGS

1. *None.*

B. TESTS

1. *None.*

C. CALCULATIONS

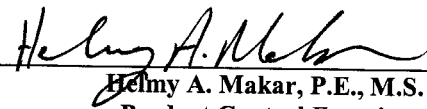
1. *None.*

D. QUALITY ASSURANCE

1. *By Miami-Dade County Building Code Compliance Office.*

E. MATERIAL CERTIFICATIONS

1. *None.*

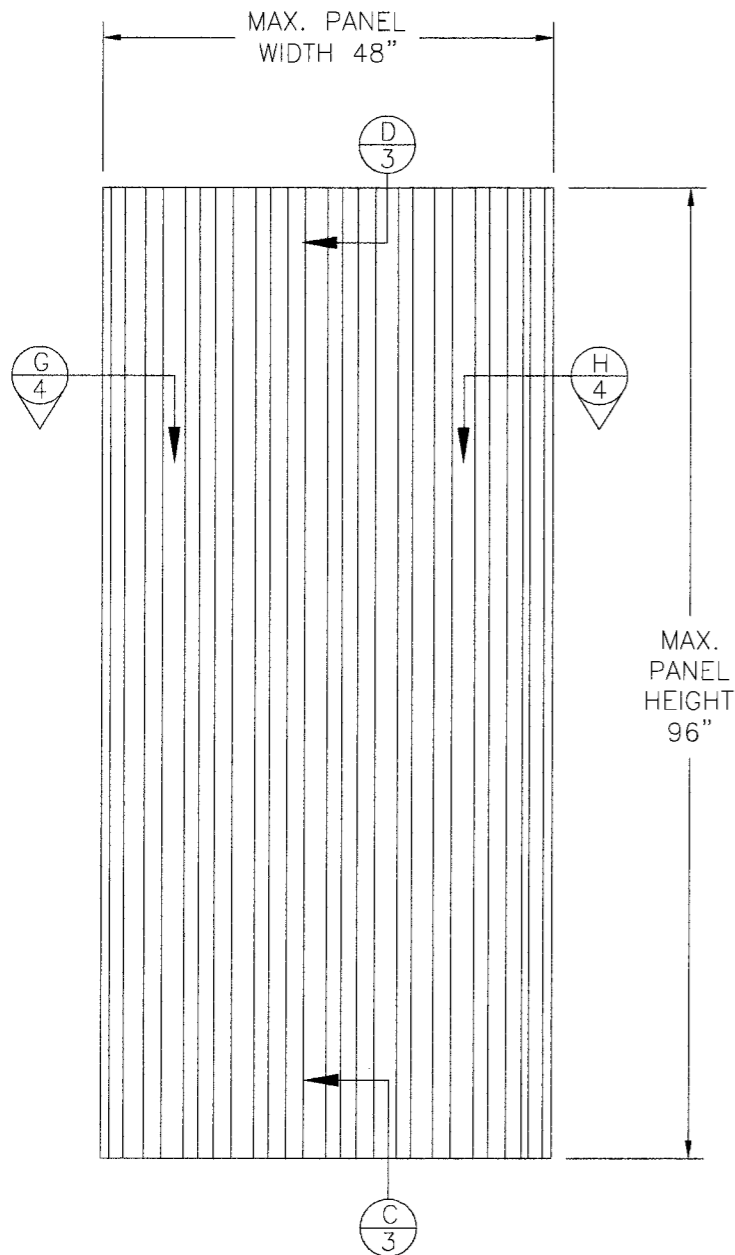


Helmy A. Makar, P.E., M.S.
Product Control Examiner

NOA No. 08-0213.02

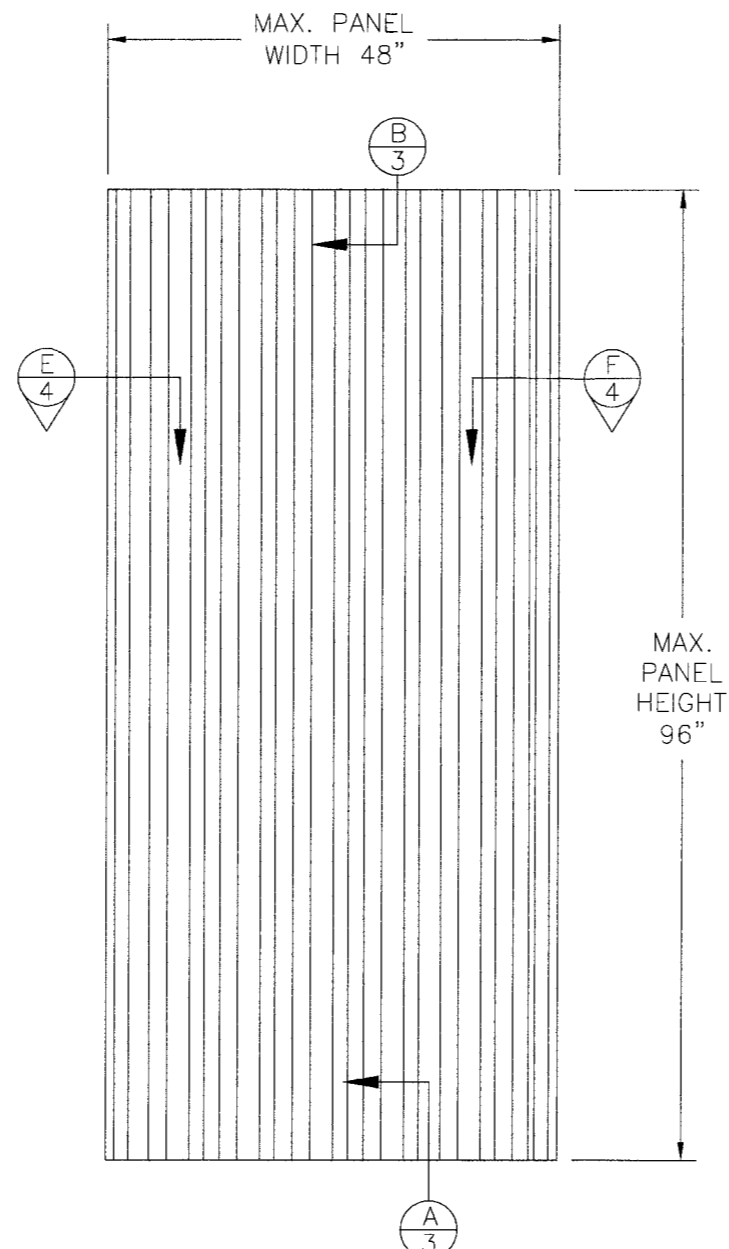
Expiration Date: 07/27/2013

Approval Date: 04/10/2008



EXTERIOR ELEVATION
5/8" PANEL

MAXIMUM ALLOWABLE
DESIGN PRESSURE
±60.0 PSF



EXTERIOR ELEVATION
1" PANEL

MAXIMUM ALLOWABLE
DESIGN PRESSURE
±80.0 PSF

NOTES:

1. THE PRODUCT SHOWN HEREIN IS DESIGNED AND MANUFACTURED TO COMPLY WITH THE 2004 FLORIDA BUILDING CODE.
2. PANELS SHALL BE FASTENED ACCORDING TO FASTENER MANUFACTURERS INSTALLATION SPECIFICATIONS AND AS SHOWN HEREIN.
3. PANEL FRAME MATERIAL: POLYCARBONATE 5/8" AND 1".
4. MAXIMUM PANEL SIZE: 48" X 96"
5. TOP AND BOTTOM DETAILS SHOWN MAY BE INTERCHANGED AS FIELD CONDITIONS DICTATE. PANELS MAY BE MOUNTED HORIZONTALLY WHERE APPLICABLE.
6. MINIMUM REQUIRED SEPARATION 2 7/8" BETWEEN PRODUCT AND EXISTING GLASS.

TABLE OF CONTENTS	
SHEETS	SHEET DESCRIPTION
1	ELEVATION & NOTES
2	ANCHORING & NOTES
3	INSTALLATION DETAILS
4	INSTALLATION DETAILS
5	COMPONENTS & B.O.M.

PRODUCT RENEWED
as complying with the Florida
Building Code
Acceptance No. 08-0213.02
Expiration Date 07/27/2013
By *Helmy A. Mebr*
Miami Dade Product Control
Division

PRODUCT RENEWED
as complying with the Florida
Building Code
Acceptance No. 07-0320.04
Expiration Date 07/27/2008
By *Helmy A. Mebr*
Miami Dade Product Control
Division

Approved as complying with the
Florida Building Code
Date 07/27/2006
NOA# 06-0222.04
Miami Dade Product Control
Division
By *Helmy A. Mebr*

L. Roberto Lomas
6/26/06

L. Roberto Lomas, P.E.
Florida P. E. No. 62514
PTC Engineering, Inc.
2361 S.E. Seafury Lane
Port St. Lucie, Florida 34952
FBPE Certificate of Authorization NO. 25935

GALLINA USA
4335 CAPITAL CIRCLE JANESVILLE, WI. 53545

TITLE: 5/8 & 1 INCH HURRICANE STORM PANEL RDC
ELEVATION & NOTES

PREPARED BY: **PTC**
PTC ENGINEERING, INC.
Phone 772.398.4639 Fax 772.398.4654

DRN: JRM DATE: 12/01/05
SCALE: N.T.S. DWG. NO: GAL-0004-1
REV: - SHEET: 1 OF 5

SYM	REVISION	DATE	BY

ANCHORING NOTES:

1. LOCATE ANCHORS AS FOLLOWS:

AT SHORTER SIDE:

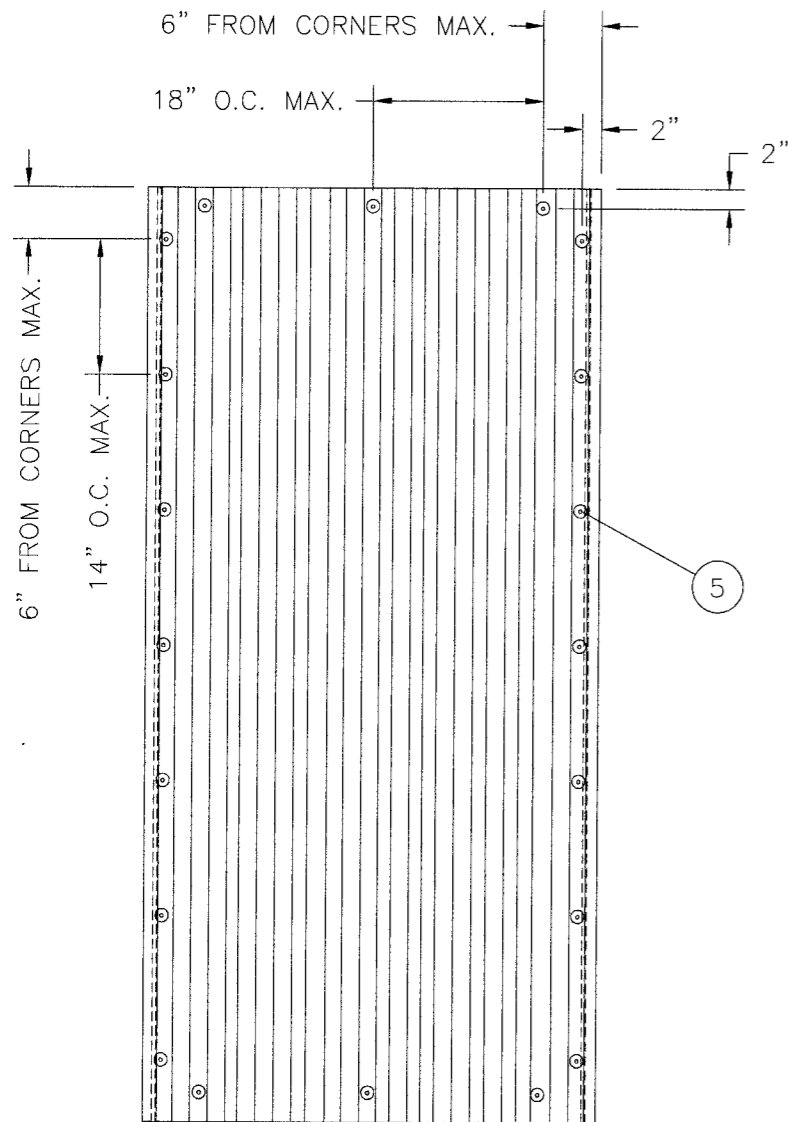
6" MAXIMUM FROM EACH CORNER AND 18" MAXIMUM ON CENTER THEREAFTER.

AT LONGER SIDE:

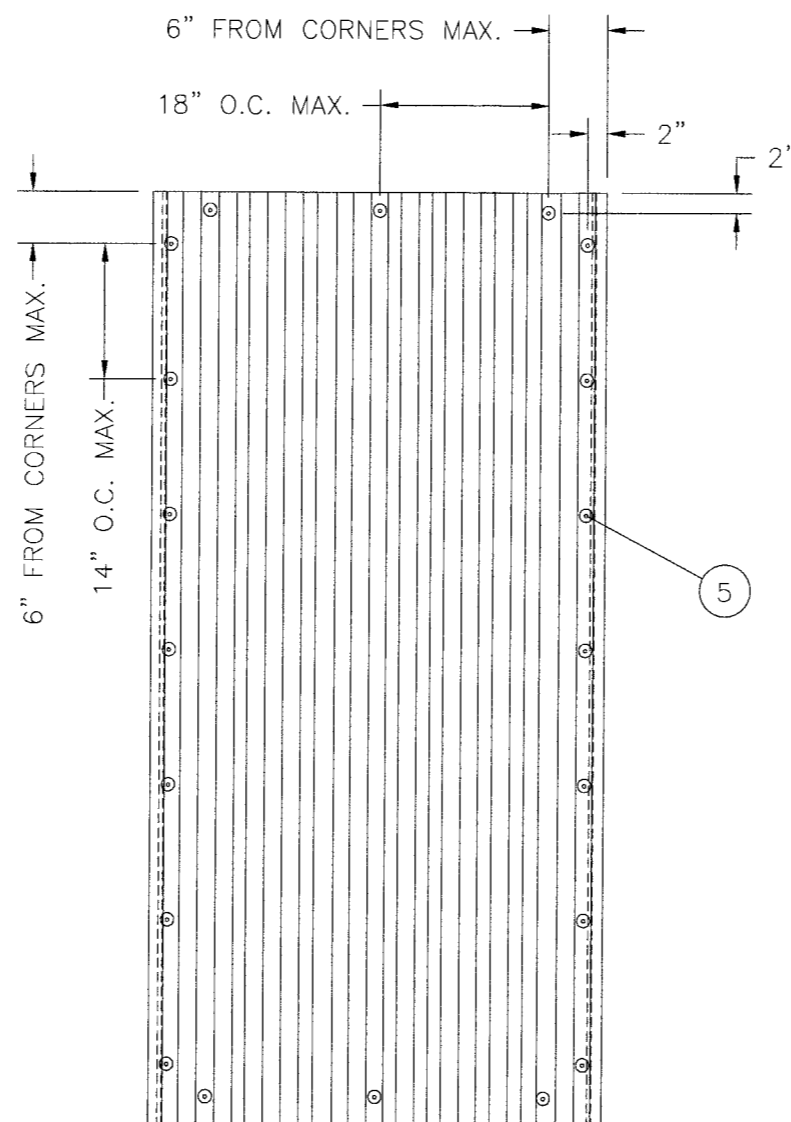
6" MAXIMUM FROM EACH CORNER AND 14" MAXIMUM ON CENTER THEREAFTER.

2. ALL BOLTS AND WASHERS SHALL BE GALVANIZED OR STAINLESS STEEL WITH A MINIMUM TENSILE STRENGTH OF 60 K.S.I.

3. ONE THIRD INCREASE IN THE ANCHOR LOAD ALLOWABLE WAS NOT USED IN CALCULATING THE ANCHOR SPACING.



ANCHOR ELEVATION
5/8"



ANCHOR ELEVATION
1"

PRODUCT RENEWED
as complying with the Florida
Building Code
Acceptance No. 08-0213.02
Expiration Date 07/27/2013
By *Helmut A. Melin*
Miami Dade Product Control
Division

PRODUCT RENEWED
as complying with the Florida
Building Code
Acceptance No. 07-0320.04
Expiration Date 07/27/2008
By *Helmut A. Melin*
Miami Dade Product Control
Division

Approved as complying with the
Florida Building Code
Date 07/27/2006
NOAH 06-0222.04
Miami Dade Product Control
Division
By *Helmut A. Melin*

Luis R. Lomas
6/26/06

L. Roberto Lomas, P.E.
Florida P. E. No. 62514
PTC Engineering, Inc.
2361 S.E. Seofury Lane
Port St. Lucie, Florida 34952
FBPE Certificate of Authorization NO. 25935

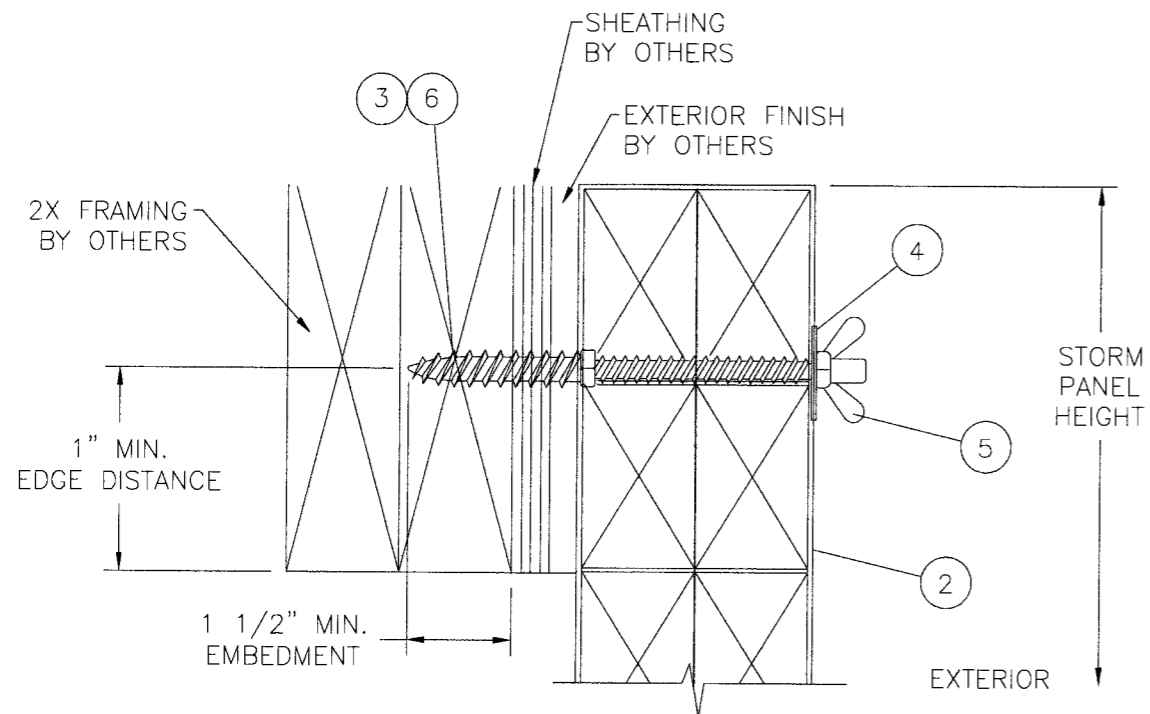
GALLINA USA
4335 CAPITAL CIRCLE JANESVILLE, WI. 53545

TITLE: 5/8 & 1 INCH HURRICANE STORM PANEL RDC
ANCHORING LAYOUT & NOTES

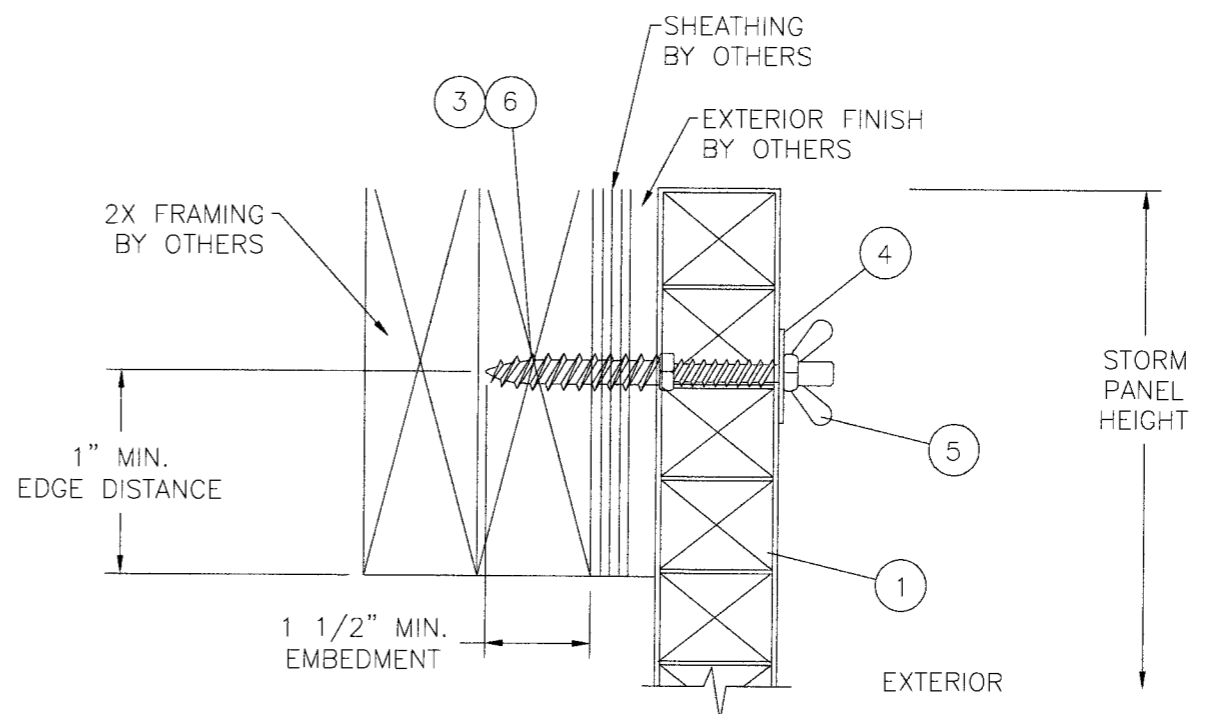
PREPARED BY: **PTC**
PTC ENGINEERING, INC.
Phone 772.398.4639 Fax 772.398.4654

DRN: JRM	DATE: 12/01/05
SCALE: N.T.S.	DWG. NO: GAL-0004-1
REV: -	SHEET: 2 OF 5

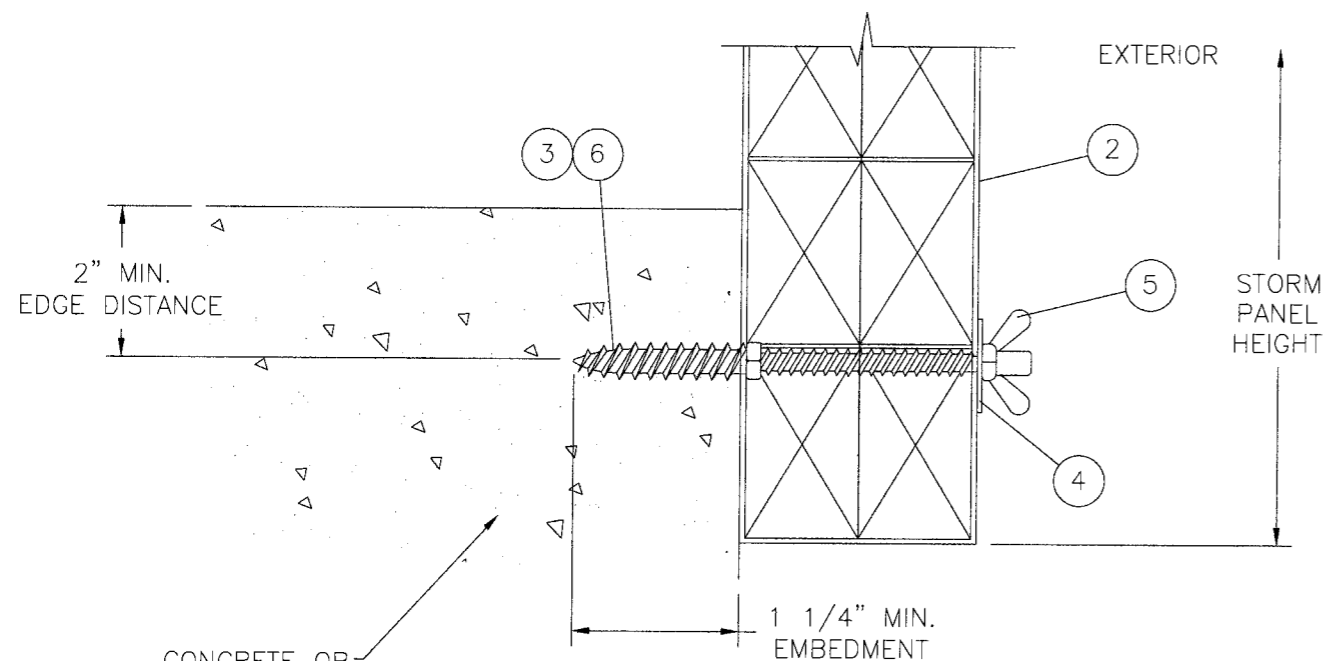
SYM	REVISION	DATE	BY



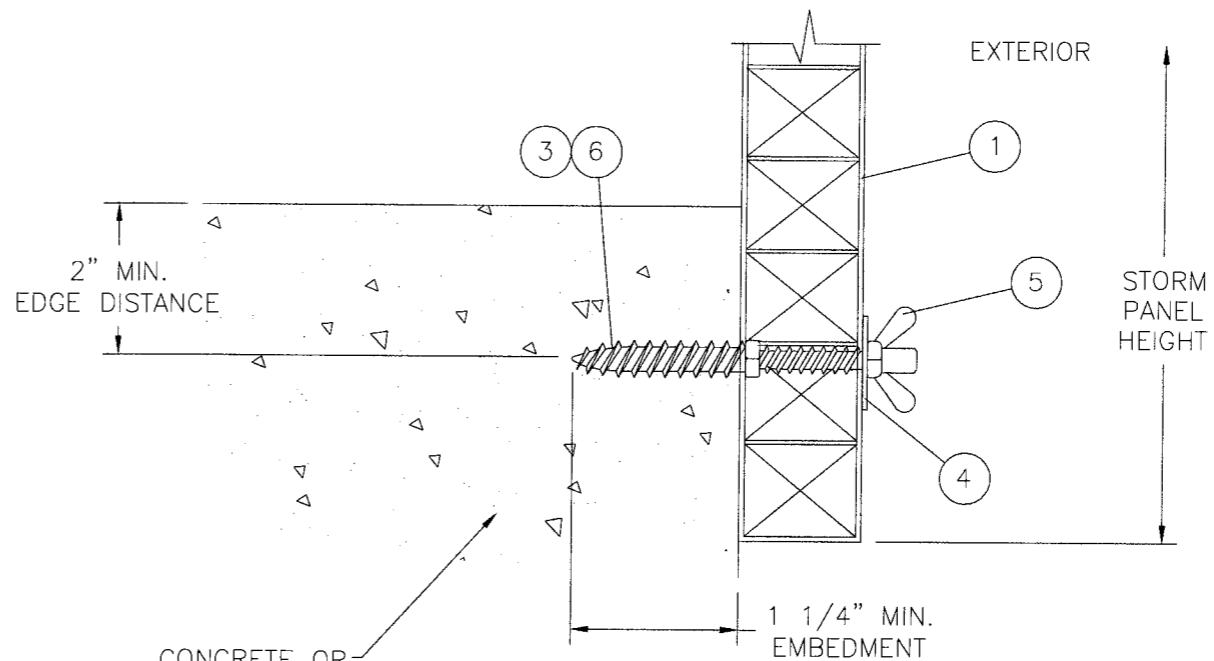
SECTION B
WOOD FRAMING INSTALLATION



SECTION D
WOOD FRAMING INSTALLATION



SECTION A
CONCRETE OR MASONRY INSTALLATION



SECTION C
CONCRETE OR MASONRY INSTALLATION

PRODUCT RENEWED
as complying with the Florida
Building Code
Acceptance No. 08-0213.02
Expiration Date 07/27/2013
By Helmut A. Meder
Miami Dade Product Control
Division

PRODUCT RENEWED
as complying with the Florida
Building Code
Acceptance No. 07-0320.04
Expiration Date 07/27/2008
By Helmut A. Meder
Miami Dade Product Control
Division

Approved as complying with the
Florida Building Code
Date 07/27/2006
NOA# 06-0222.04
Miami Dade Product Control
Division
By Helmut A. Meder

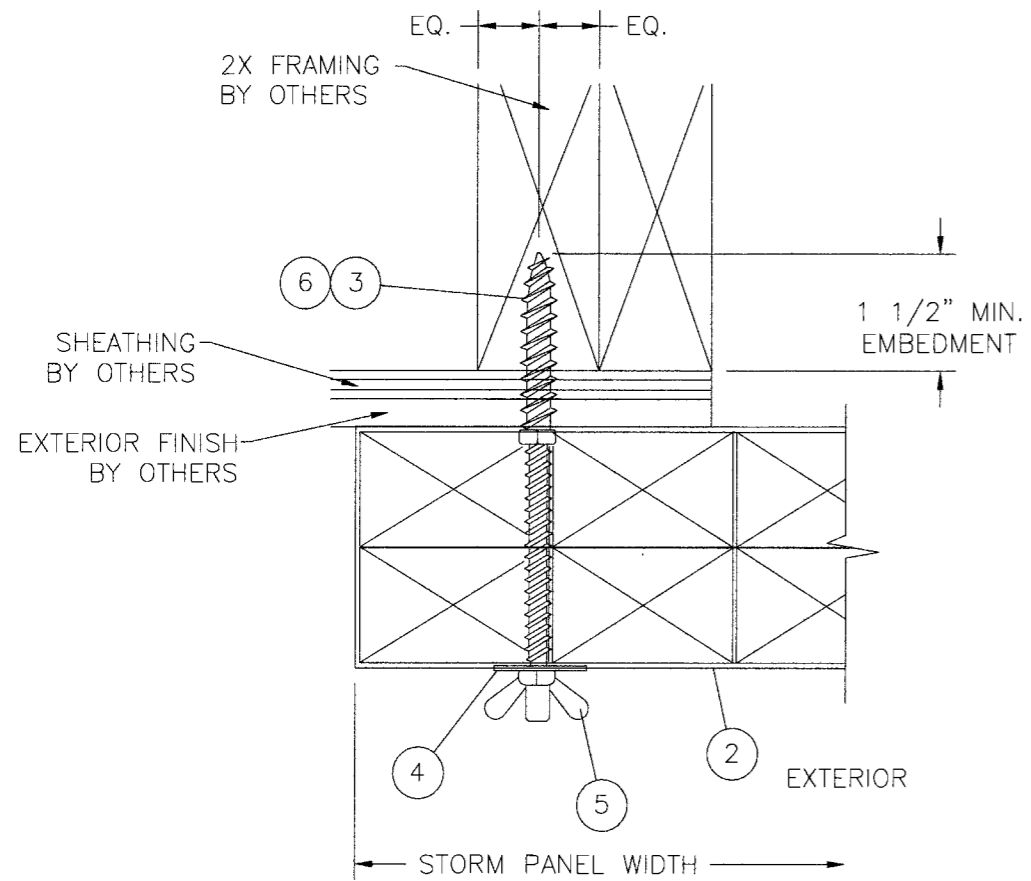
SYM	REVISION	DATE	BY

L. Roberto Lomas
6/26/06
L. Roberto Lomas, P.E.
Florida P. E. No. 62514
PTC Engineering, Inc.
2361 S.E. Seafury Lane
Port St. Lucie, Florida 34952
FBPE Certificate of Authorization NO. 25935

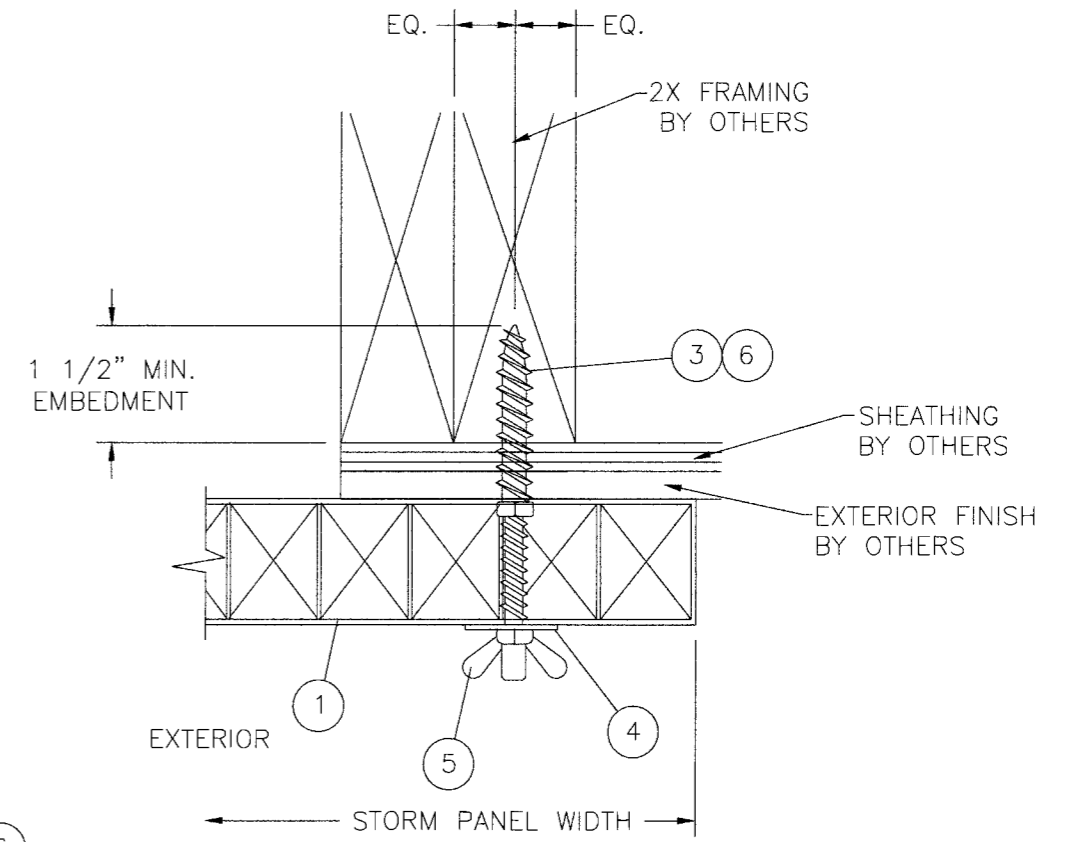
GALLINA USA
4335 CAPITAL CIRCLE JANESVILLE, WI. 53545
TITLE: 5/8 & 1 INCH HURRICANE STORM PANEL RDC
INSTALLATION DETAILS

PREPARED BY: **PTC** PTC ENGINEERING, INC.
DRN: JRM DATE: 12/01/05
SCALE: N.T.S. DWG. NO: GAL-0004-1
REV: SHEET: 3 OF 5

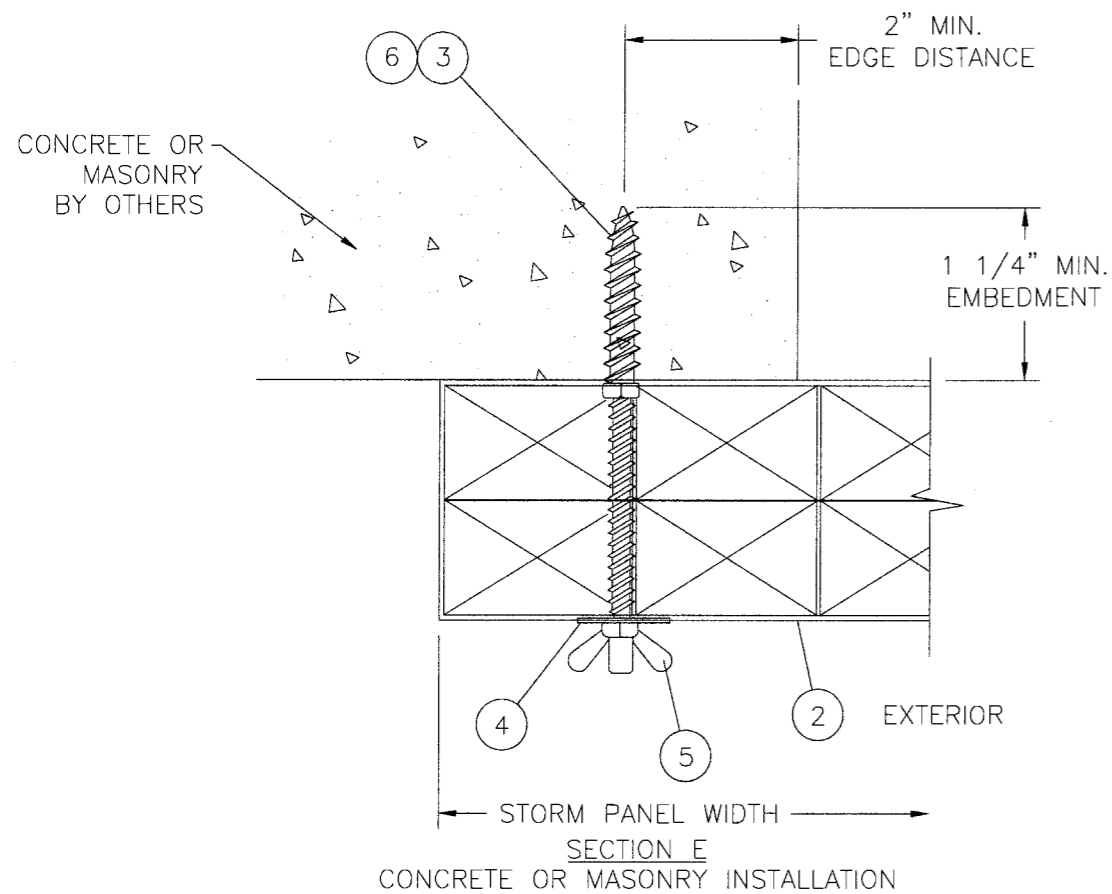
Phone 772.398.4639 Fax 772.398.4654



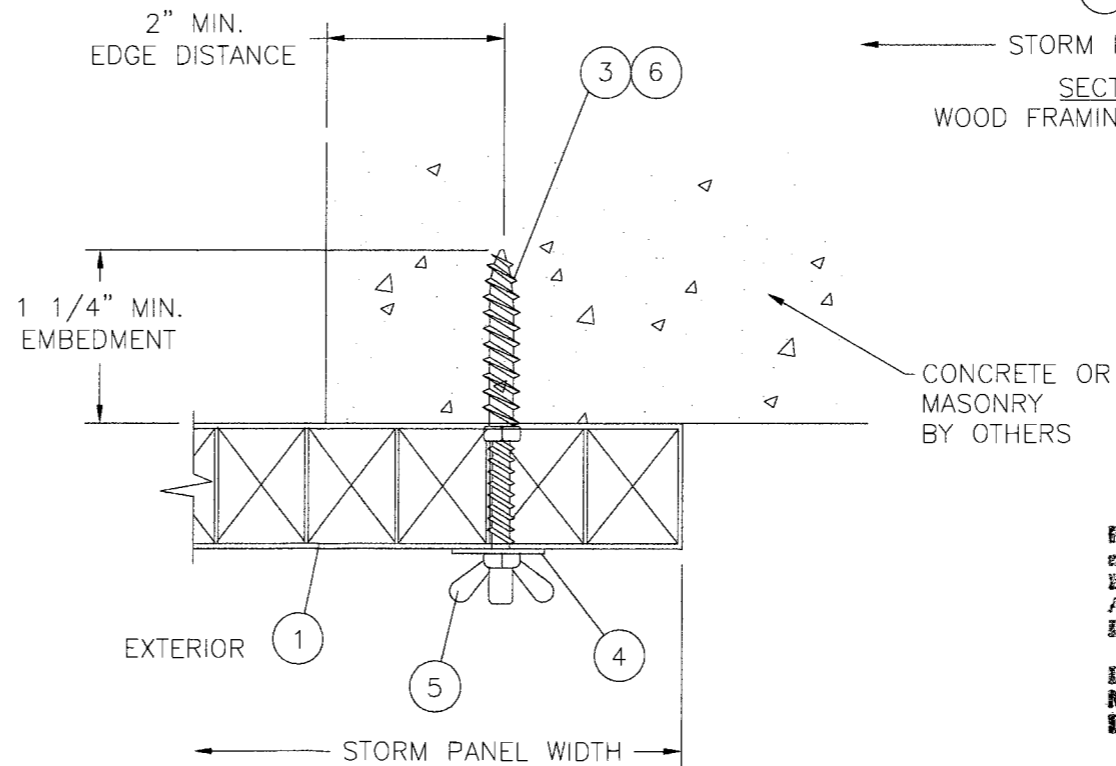
SECTION F
WOOD FRAMING INSTALLATION



SECTION H
WOOD FRAMING INSTALLATION



SECTION E
CONCRETE OR MASONRY INSTALLATION



SECTION G
CONCRETE OR MASONRY INSTALLATION

PRODUCT RENEWED
as complying with the Florida
Building Code
Acceptance No. 08-0213.02
Expiration Date 07/27/2013
By Helmy A. Mubarek
Miami Code Product Control
Division

PRODUCT RENEWED
as complying with the Florida
Building Code
Acceptance No. 07-0320-04
Expiration Date 07/27/2008
By Helmy A. Mubarek
Miami Code Product Control
Division

Approved as complying with the
Florida Building Code
Date 07/27/2006
NOAH 06-0222-04
Miami Code Product Control
Division
By Helmy A. Mubarek

David R. Lomas
6/26/06
L. Roberto Lomas, P.E.
Florida P. E. No. 62514
PTC Engineering, Inc.
2361 S.E. Seafury Lane
Port St. Lucie, Florida 34952
FBPE Certificate of Authorization NO. 25935

GALLINA USA
4335 CAPITAL CIRCLE JANESVILLE, WI. 53545
TITLE: 5/8 & 1 INCH HURRICANE STORM PANEL RDC
INSTALLATION DETAILS
PREPARED BY: **PTC** PTC ENGINEERING, INC.
DRN: JRM DATE: 12/01/05
SCALE: N.T.S. DWG. NO: GAL-0004-1
REV: SHEET: 4 OF 5

SYM	REVISION	DATE	BY

BILL OF MATERIALS		
ITEM #	PART #	DESCRIPTION
1	2161	5/8" POLYCARBONATE STORM PANEL
2	2151	1" POLYCARBONATE STORM PANEL
3	PURCHASE	1/4" PANEL MATE MALE FASTENER (TEXTRON)
4	PURCHASE	1/4" STEEL WASHER
5	PURCHASE	1/4-20 STEEL WINGNUT
6	PURCHASE	1/4" TAPCON SG (ITW BUILDEX)

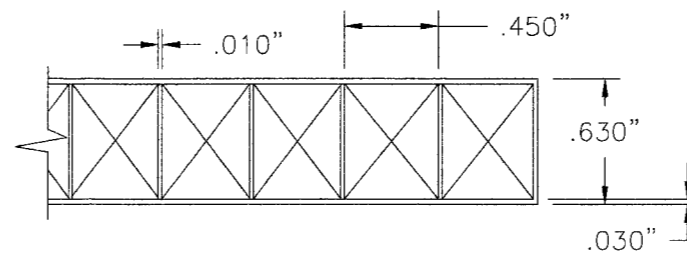
PRODUCT PROPERTIES 5/8" PANEL

TEST DESCRIPTION	TEST METHOD	TEST RESULTS	
SELF IGNITION TEMP.	ASTM D1929	896°F	
AVERAGE TIME OF BURNING	ASTM D635	0 SEC.	
STANDARD FLAME SPREAD	ASTM E84	70	
SMOKE DENSITY DEVELOPED	ASTM E84	274	
TENSILE STRENGTH (MEAN)	ASTM D638	6604 PSI	7240 PSI
		BEFORE	AFTER

PRODUCT PROPERTIES 1" PANEL

TEST DESCRIPTION	TEST METHOD	TEST RESULTS	
SELF IGNITION TEMP.	ASTM D1929	896°F	
AVERAGE TIME OF BURNING	ASTM D635	0 SEC.	
STANDARD FLAME SPREAD	ASTM E84	100	
SMOKE DENSITY DEVELOPED	ASTM E84	276	
TENSILE STRENGTH (MEAN)	ASTM D638	6604 PSI	7240 PSI
		BEFORE	AFTER

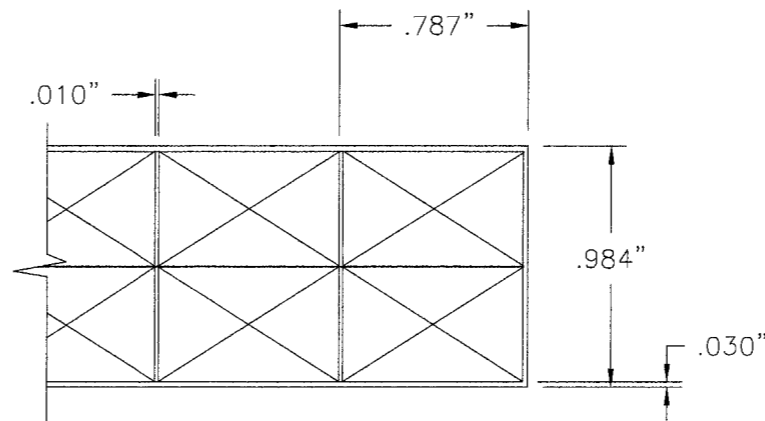
① 5/8" PANEL
EXTERIOR WALLS THICKNESS 0.030"
INTERIOR FLUTED WALLS THICKNESS 0.010"



③ 1/4" PANEL MATE (TEXTRON)
⑥ 1/4" TAPCON SG (ITW BUILDEX)



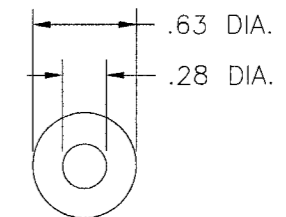
② 1" PANEL
EXTERIOR WALLS THICKNESS 0.030"
INTERIOR FLUTED WALLS THICKNESS 0.010"



⑤ 1/4"-20 WING NUT
STEEL



④ 1/4" WASHER
STEEL (1/16" THICK)



NOTES:

1) STORM PANELS SHALL BE EXTRUDED CELLULAR POLYCARBONATE WITH A MINIMUM THICKNESS AS INDICATED ON COMPONENTS ① & ②

PRODUCT RENEWED
as complying with the Florida
Building Code
Acceptance No. 08-0213.02
Expiration Date 07/27/2013
By *Helmut A. Mehn*
Miami Dade Product Control
Division

PRODUCT RENEWED
as complying with the Florida
Building Code
Acceptance No. 07-0320.04
Expiration Date 07/27/2008
By *Helmut A. Mehn*
Miami Dade Product Control
Division

Approved as complying with the
Florida Building Code
Date 07/27/2006
NOA# 06-0222.04
Miami Dade Product Control
Division
By *Helmut A. Mehn*

SYM	REVISION	DATE	BY

L. Roberto Lomas
6/26/06

L. Roberto Lomas, P.E.
Florida P. E. No. 62514
PTC Engineering, Inc.
2361 S.E. Seafury Lane
Port St. Lucie, Florida 34952
FBPE Certificate of Authorization NO. 25935

GALLINA USA
4335 CAPITAL CIRCLE JANESVILLE, WI. 53545

TITLE: 5/8 & 1 INCH HURRICANE STORM PANEL RDC
COMPONENTS & B.O.M.

PREPARED BY: **PTC** PTC ENGINEERING, INC.
Phone 772.398.4639 Fax 772.398.4654

DRN: JRM	DATE: 12/01/05
SCALE: N.T.S.	DWG. NO: GAL-0004-1
REV: -	SHEET: 5 OF 5